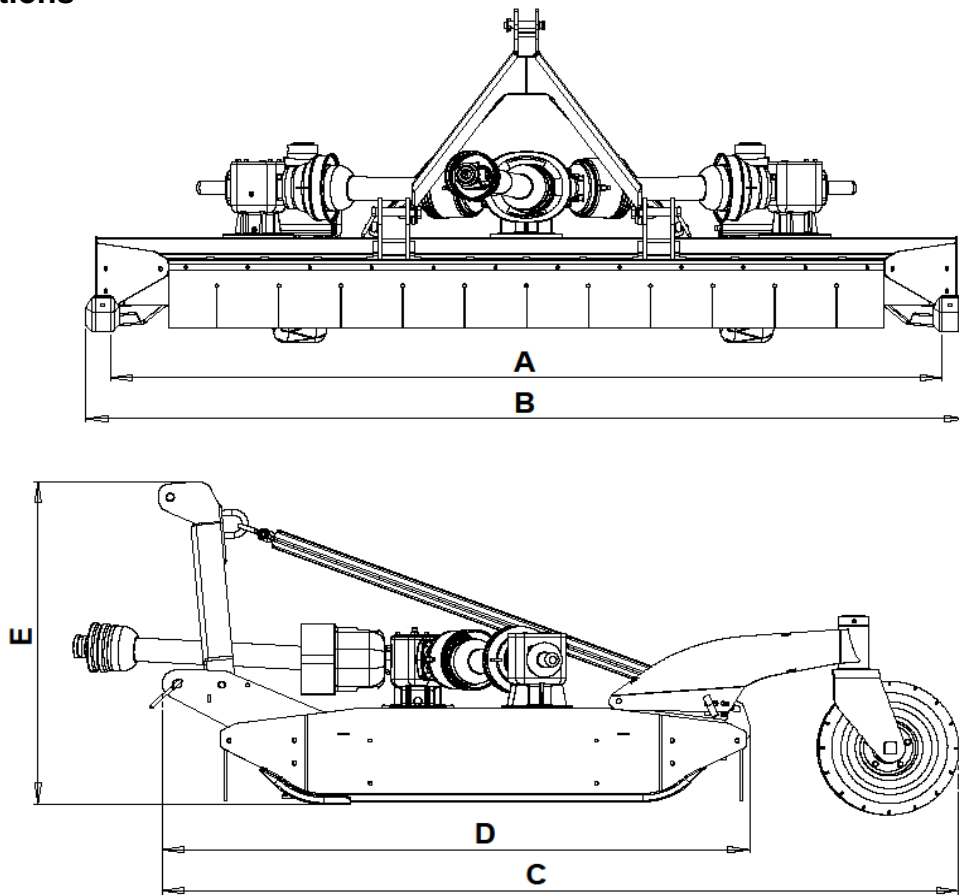


Technical Specifications

Specifications



		Kidd 283	Kidd 335
A	Cutting Width	2.82 m	3.35 m
B	Transport Width	3.0 m	3.5 m
C	Overall Length (With Swivel Wheels)	2.67 m	2.82 m
D	Body Length	1.97 m	2.14 m
E	Overall Height	1.14 m	1.14 m
	Number of Rotors	3	3
	Blade Overlap	70mm	70mm
	Blade Tip Speed	72-75 m/sec	80-86 m/sec
	Weight	920 kg	1035 kg
	Tyre Size (Standard)	18x7-8/16 ply	18x7-8/16 ply
	Minimum Tractor PTO Requirement	80hp (60kW)	100hp (75kW)
	PTO Input Speed	1000 rpm	1000 rpm

